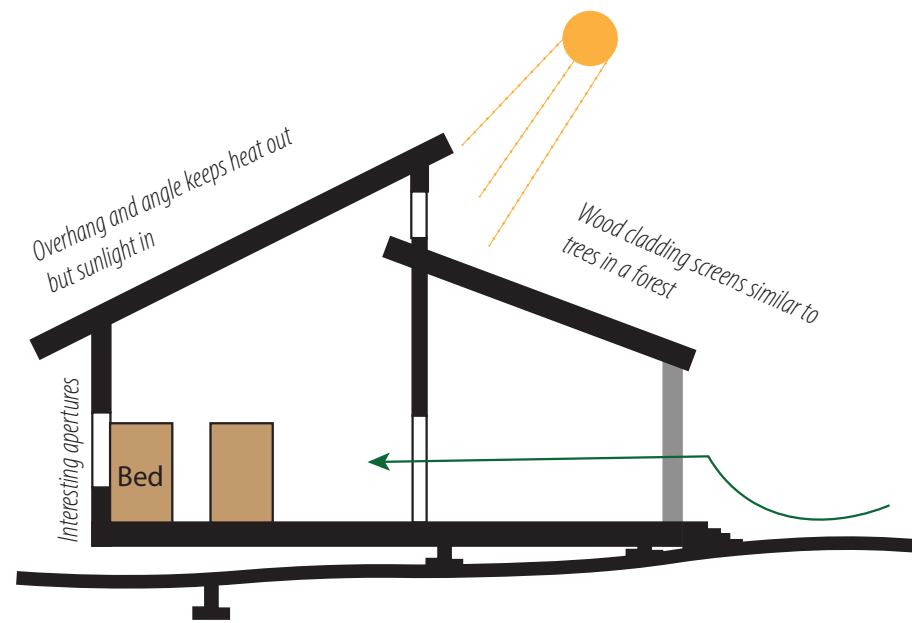
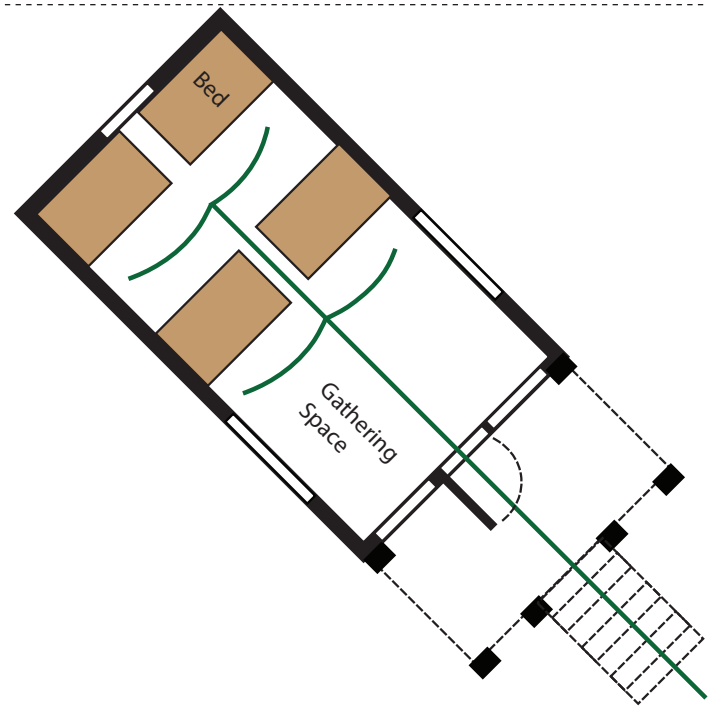


Design Assignment 3.3: A WOOD SHELTER
Preliminary Design Sketches

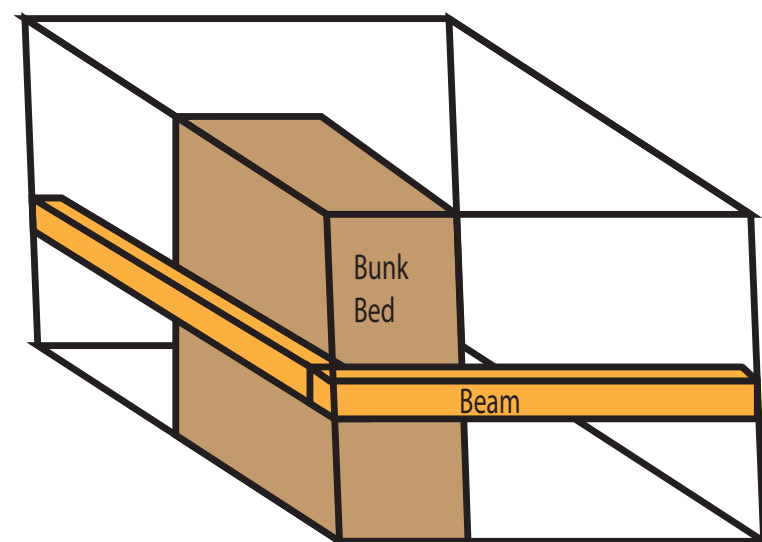
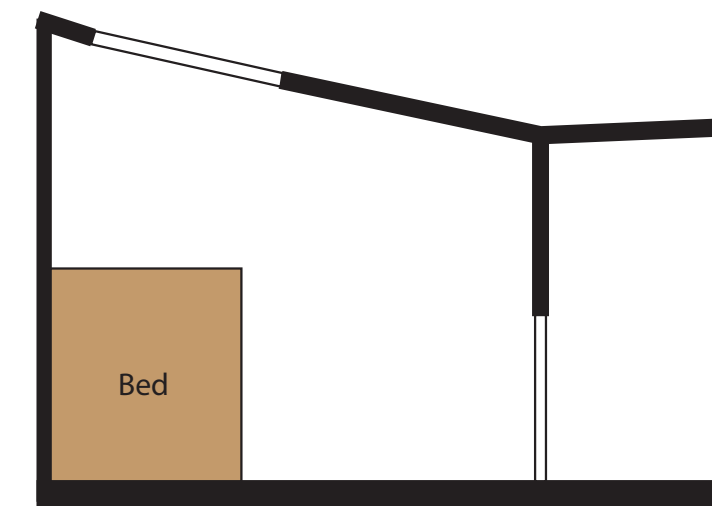
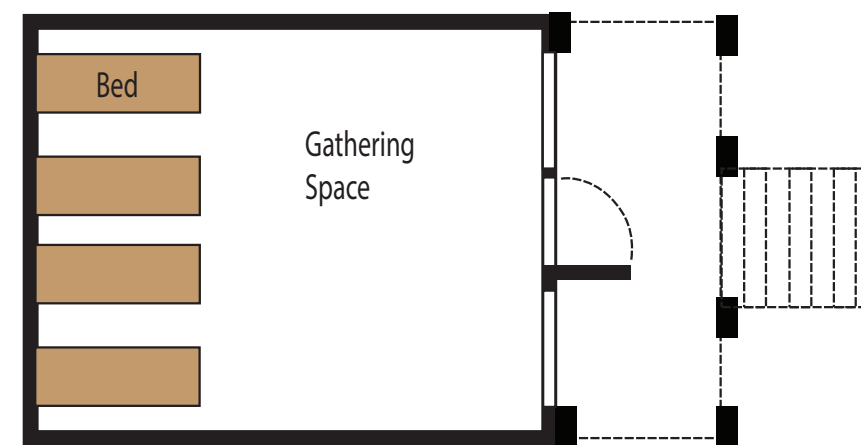


Won Dharma Center

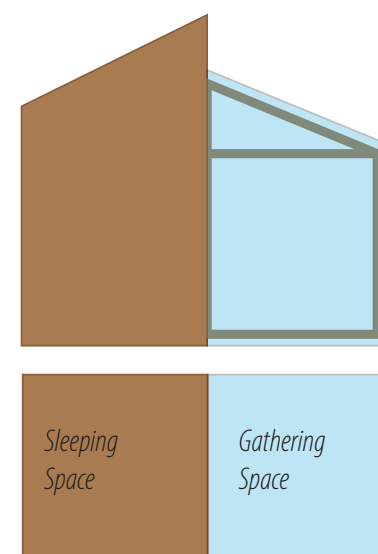


This sketch of a simple design lays the base of what is need for the shelter

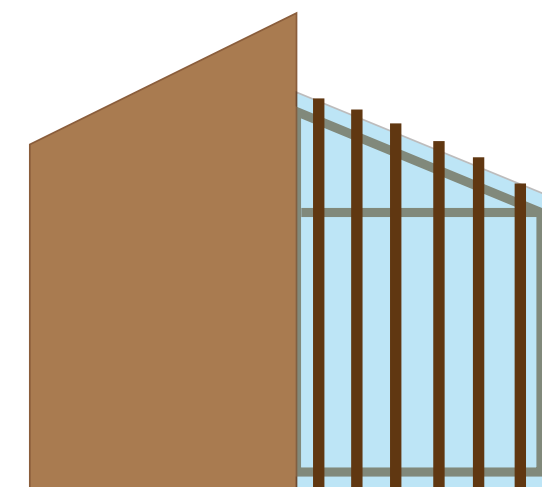
*Highlights:
 Columns support the roof
 The slanted roof allow a person at the top bunk to fit comfortably
 There are apertures on the top roof and entryway*



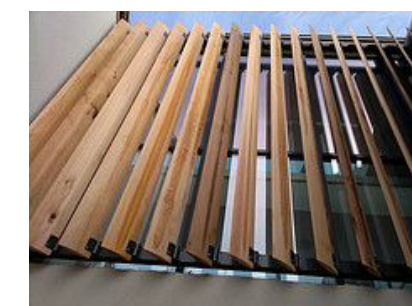
To incorporate the bunk beds we could use additional beams and coulumn stemming from the structure to create the form of the beds



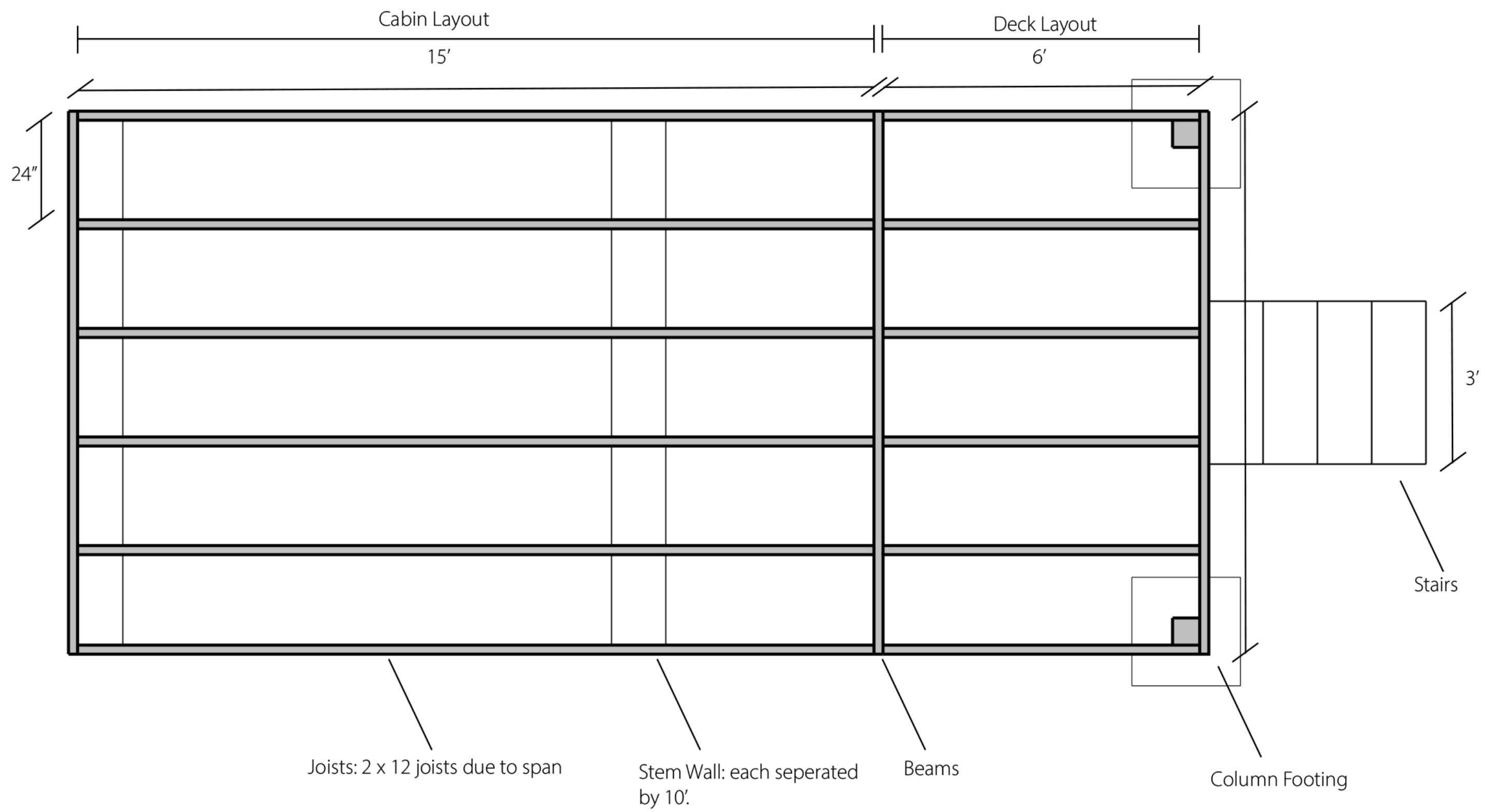
Half is covered by wood cladding, the other half is covered with plexi to expose the structure within



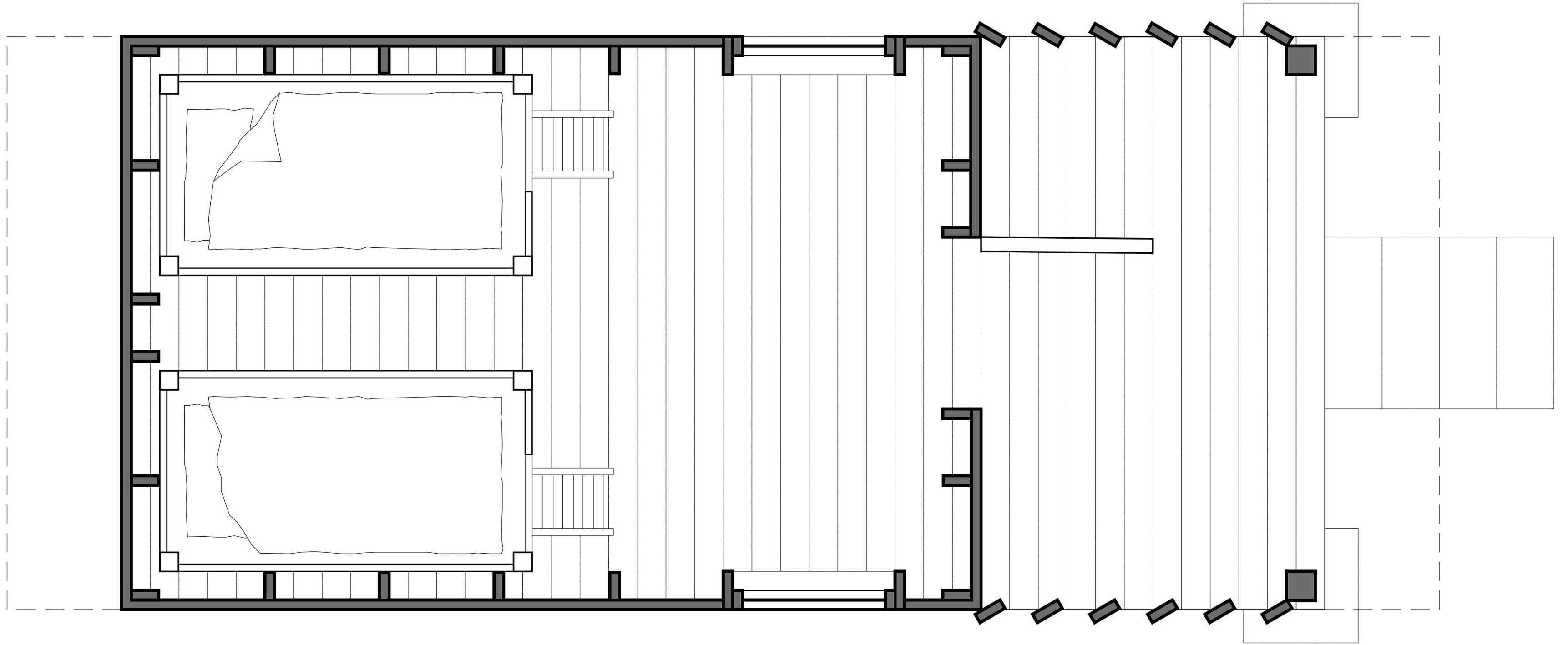
Half is covered by wood cladding, the other half is covered with plexi to expose the structure within but also has the screening cladding continued just in a lessened amount



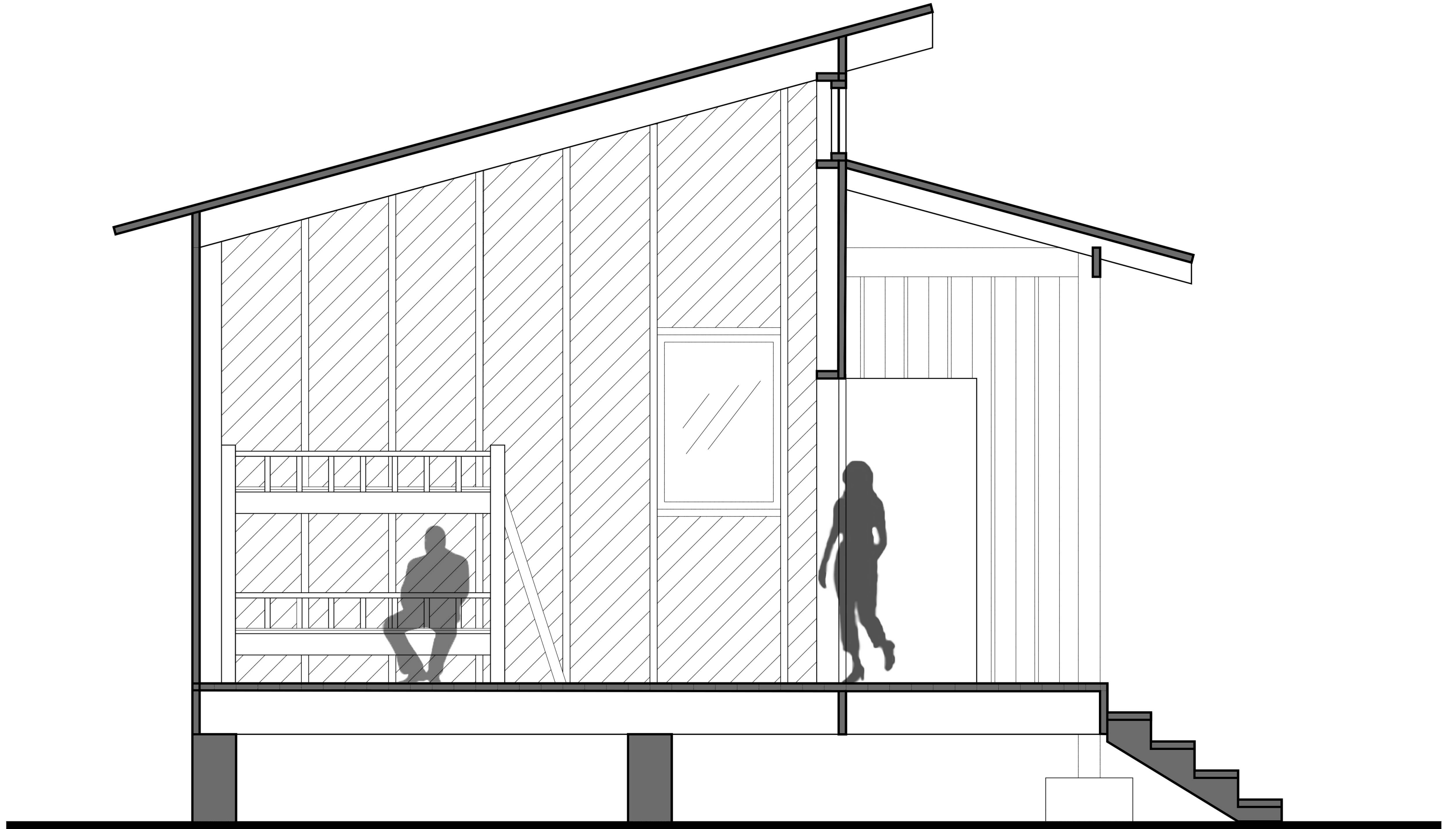
Design Assignment 3.3: A WOOD SHELTER
Deck Framing Plan (Scale 1/2"=1'-0")



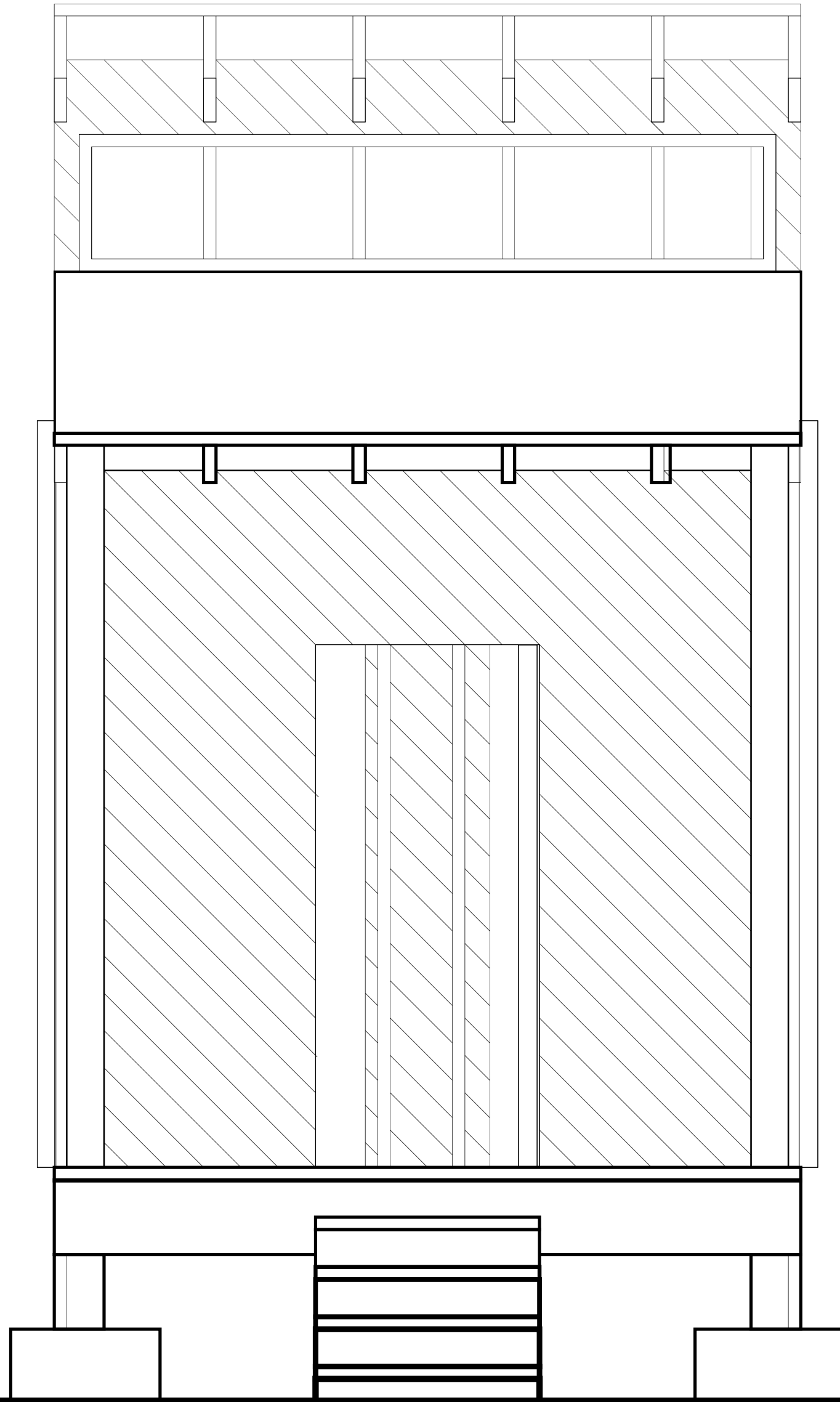
Design Assignment 3.3: A WOOD SHELTER
Floor Plan (Scale 1/2"=1'-0")



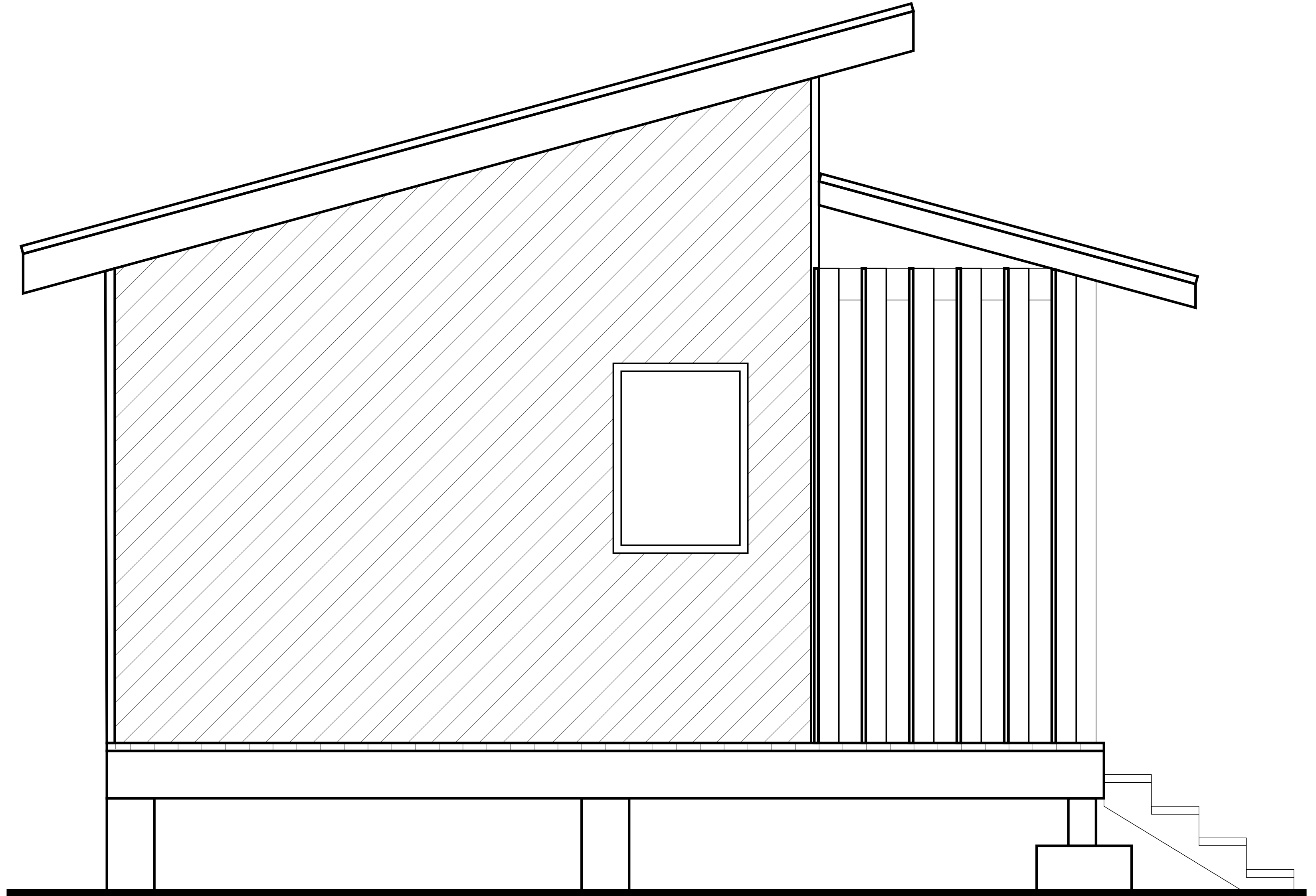
Design Assignment 3.3: A WOOD SHELTER
Cross Section (Scale 1/2"=1'-0")



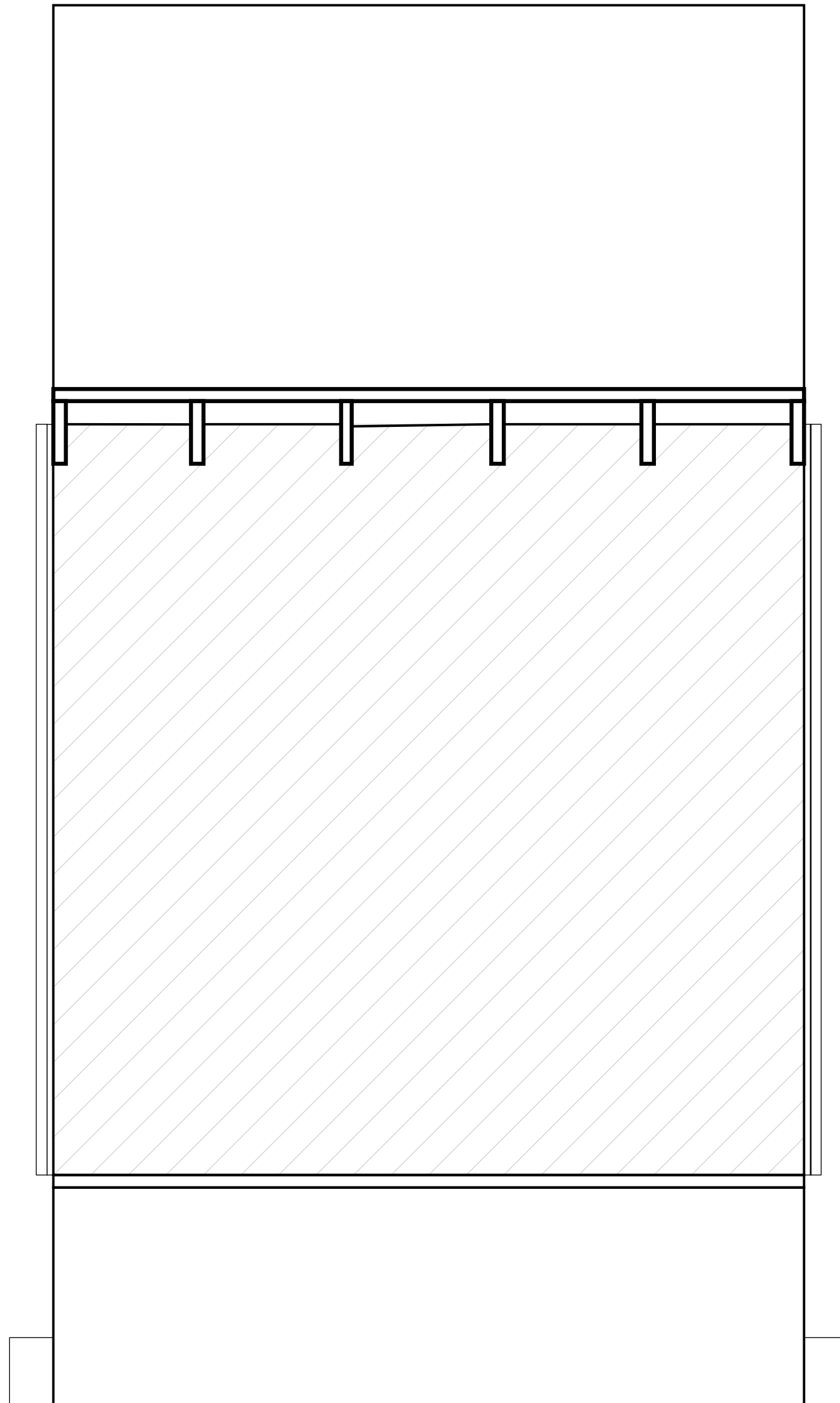
Design Assignment 3.3: A WOOD SHELTER
Elevation 1 (Scale 1/2"=1'-0")



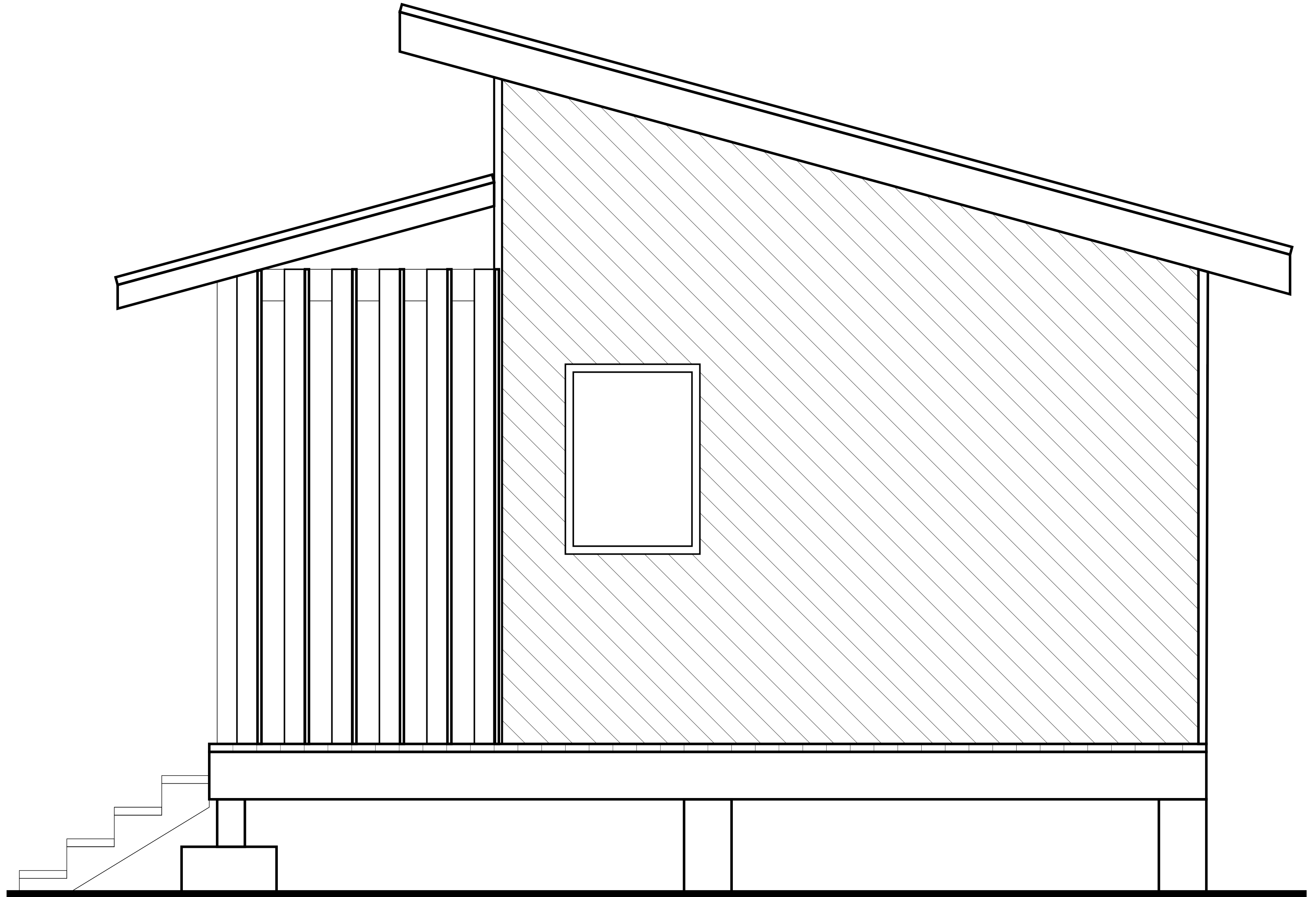
Design Assignment 3.3: A WOOD SHELTER
Elevation 2 (Scale 1/2"=1'-0")



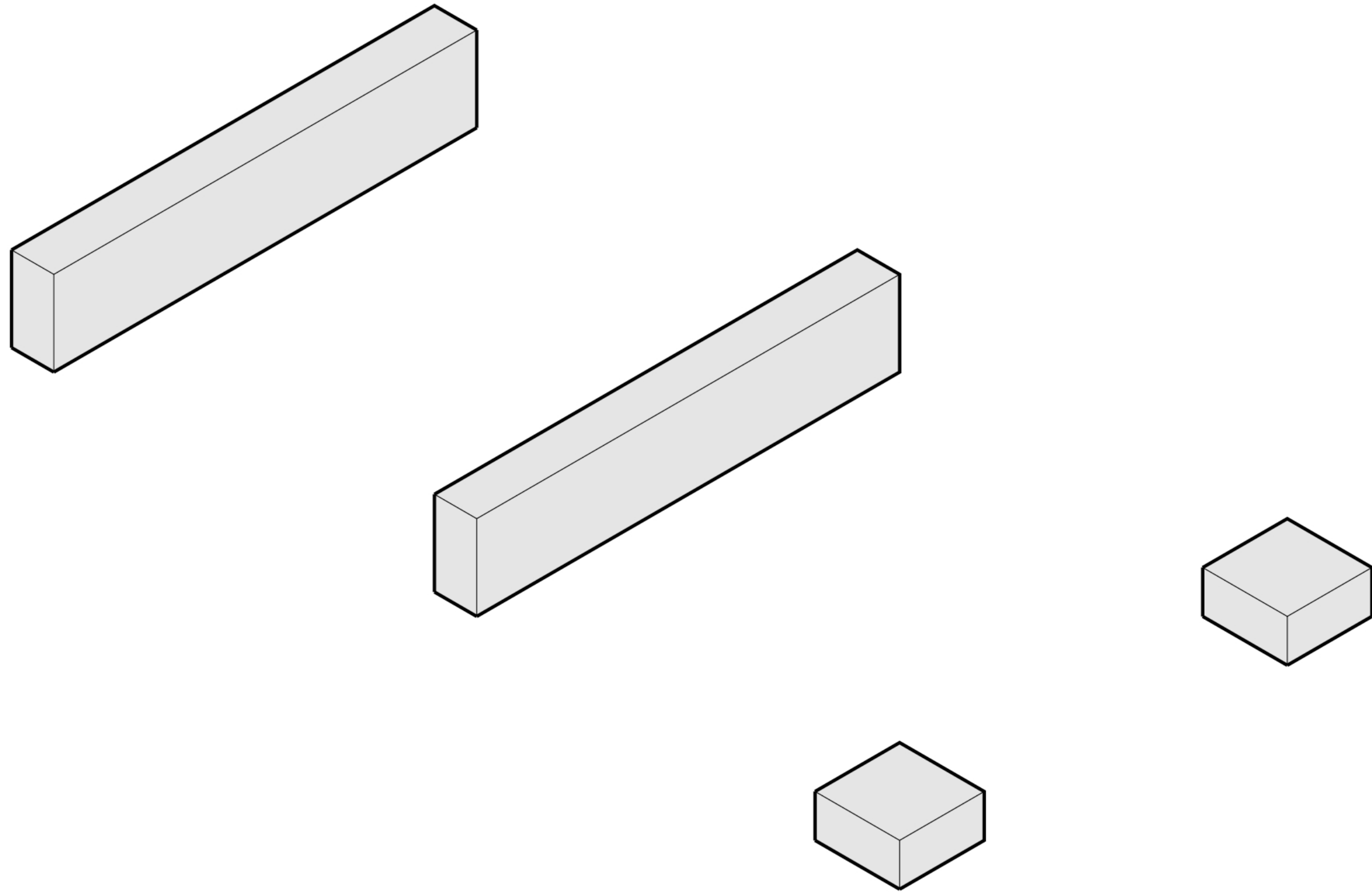
Design Assignment 3.3: A WOOD SHELTER
Elevation 3 (Scale 1/2"=1'-0")



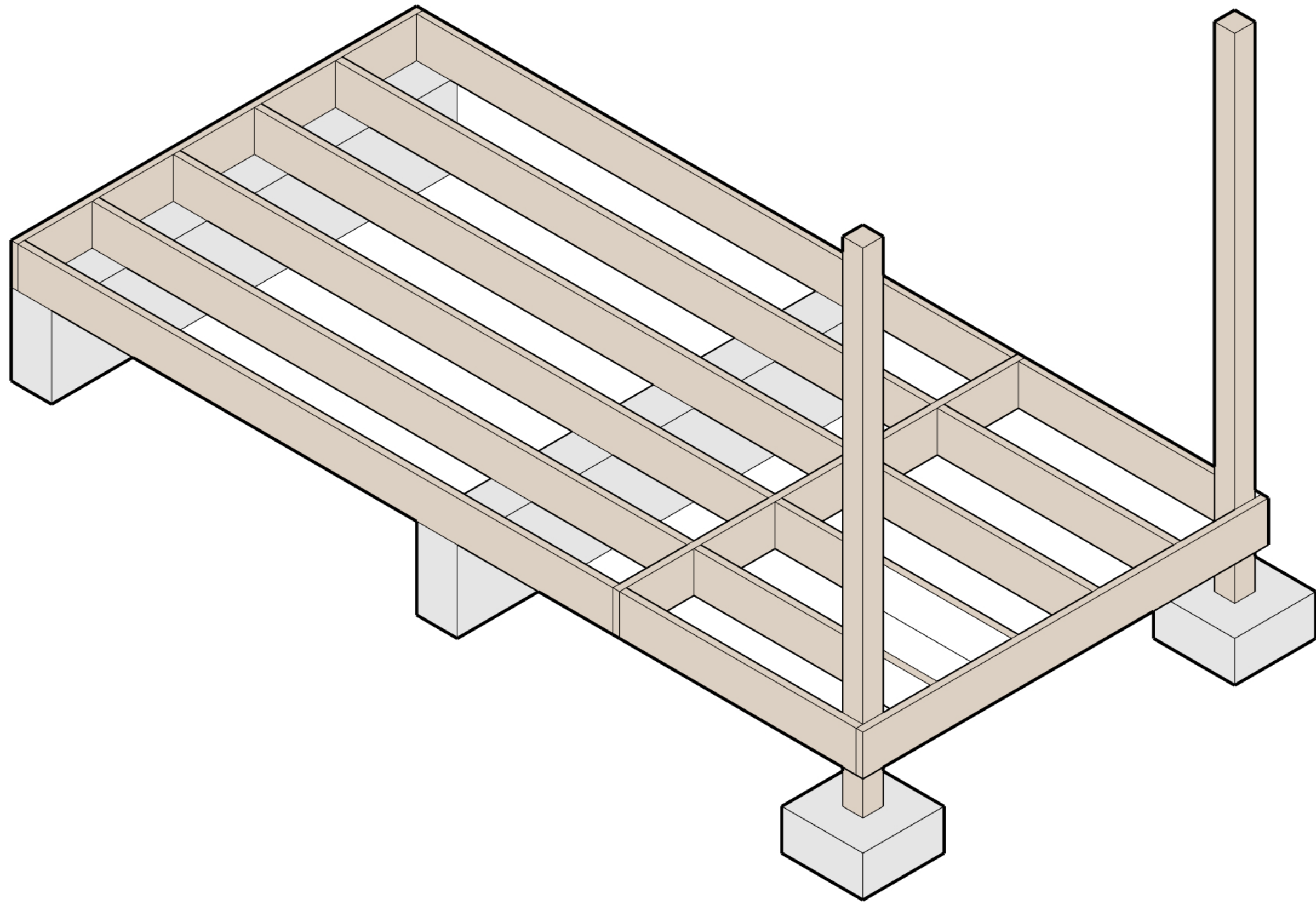
Design Assignment 3.3: A WOOD SHELTER
Elevation 4 (Scale 1/2"=1'-0")



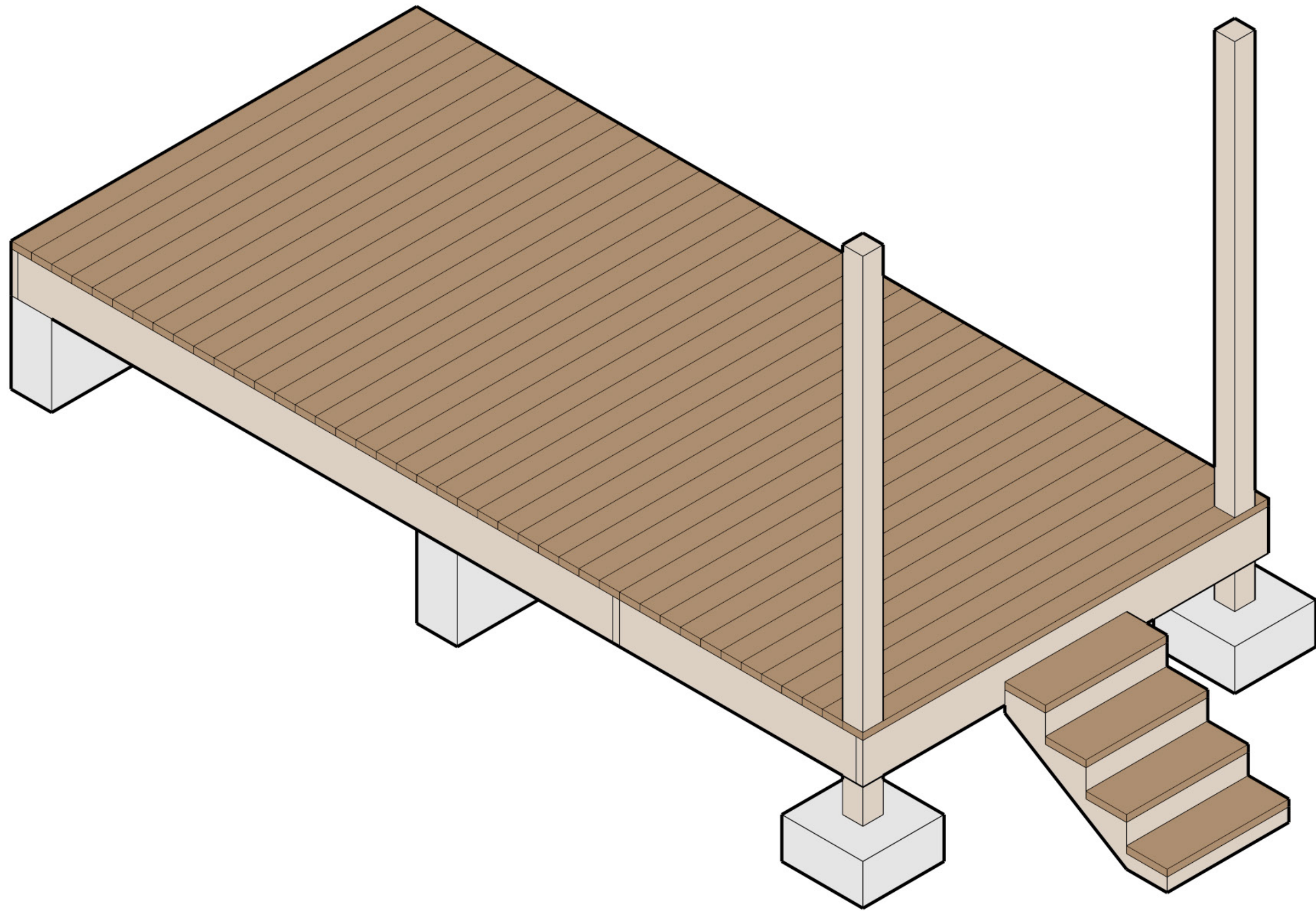
Design Assignment 3.3: A WOOD SHELTER
3D Model: Constuction Series



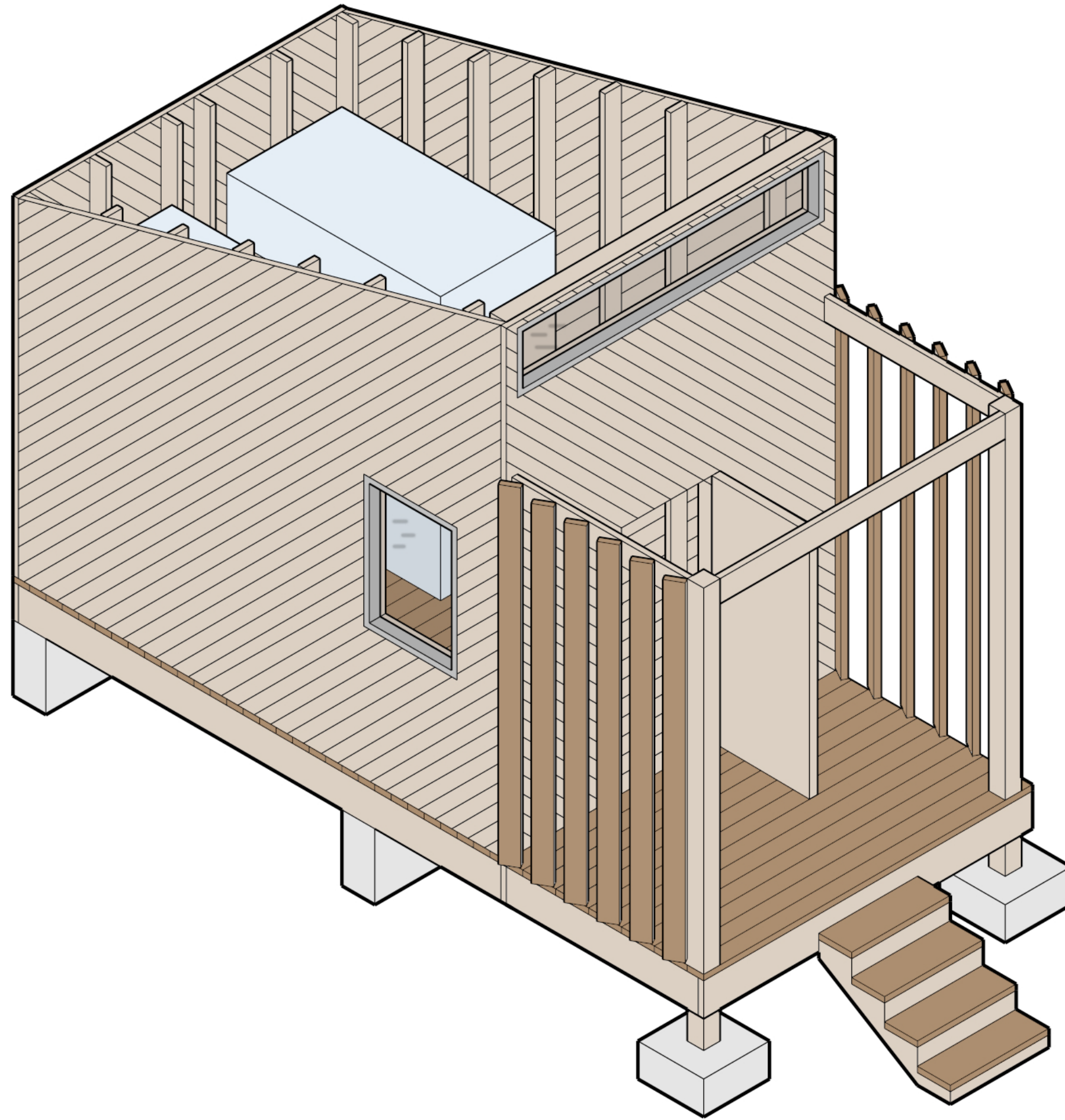
Design Assignment 3.3: A WOOD SHELTER
3D Model: Constuction Series



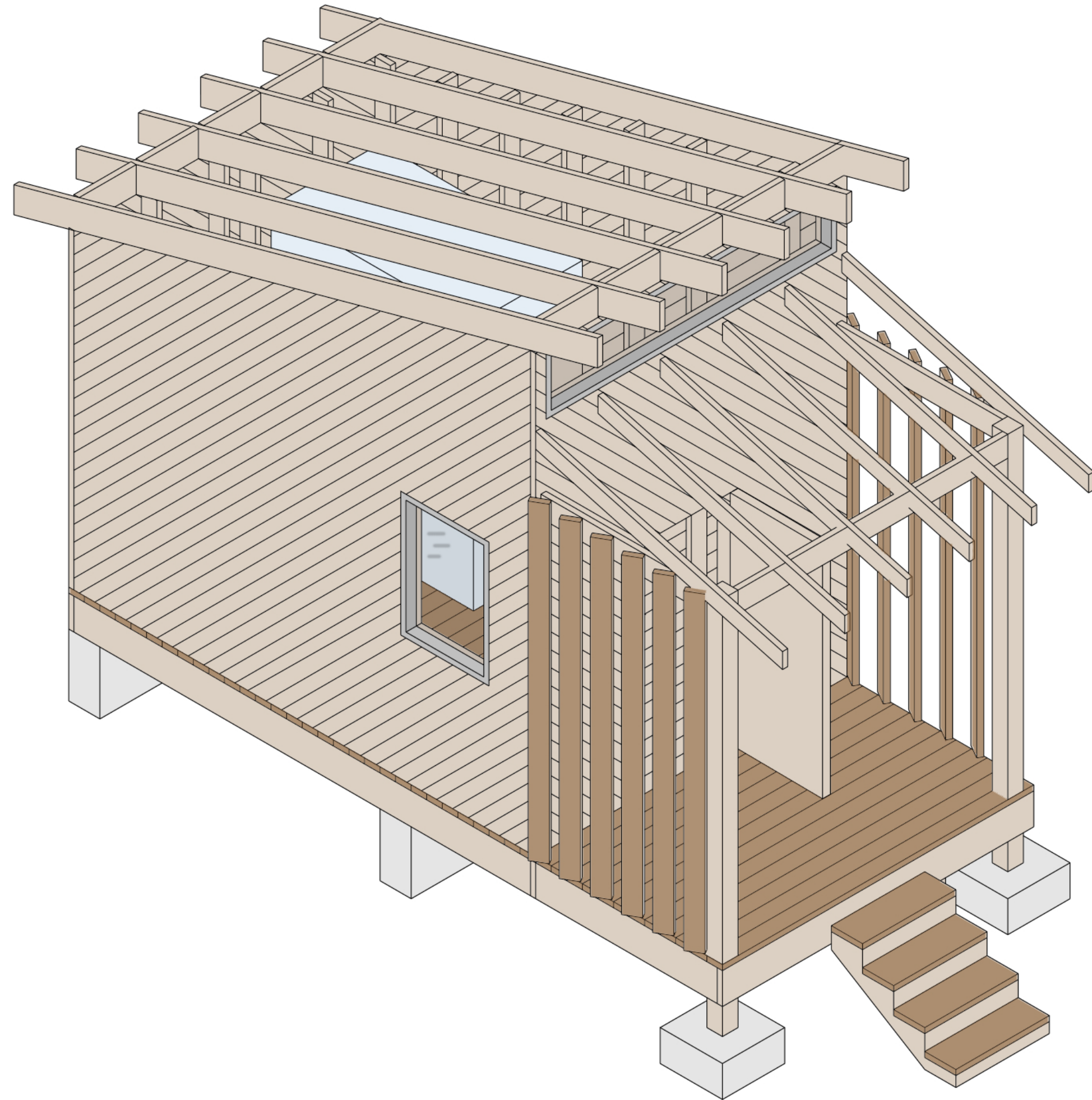
Design Assignment 3.3: A WOOD SHELTER
3D Model: Constuction Series



Design Assignment 3.3: A WOOD SHELTER
3D Model: Constuction Series



Design Assignment 3.3: A WOOD SHELTER
3D Model: Constuction Series



Design Assignment 3.3: A WOOD SHELTER
3D Model: Constuction Series

